

# PowerLine

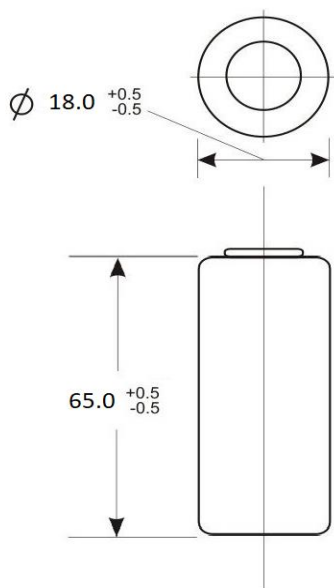
## Lithium-ion Batteries

### Powerline ICR18650P Hardware 2000mAh 10C

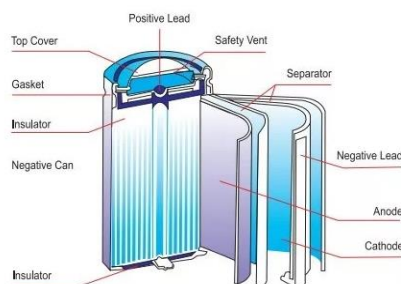
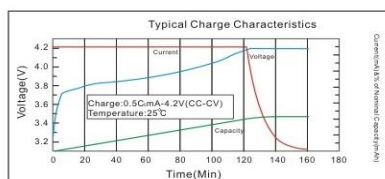
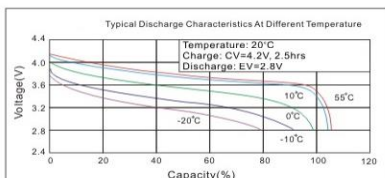
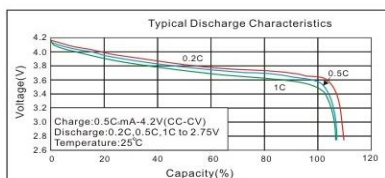
Li-ion Cylindrical Battery

Size: 18650

#### Typical Characteristics



Powerline ICR18650P Hardware 2000mAh 10C			
Specifications			
Nominal Voltage (V)		3.6V	
Capacity	Discharge rate	C/5	1C
	Nominal (mAh)	1950	1870
	Typical (mAh)	2000	1920
Dimension	Diameter (mm)	$18.0^{+0.5}_{-0.5}$	
	Height (mm)	$65.0^{+0.5}_{-0.5}$	
Charging	Standard	200 mA x 15 hrs	
	Quick	2000 mA x 1.2 hrs $T_{max}=45^{\circ}\text{C}$ $-\Delta V = 5\sim 8\text{mV}$	
Operating Temperature ( $^{\circ}\text{C}$ )	Standard Charging	0 ~ 45 $^{\circ}\text{C}$	
	Quick Charging	10 ~ 40 $^{\circ}\text{C}$	
	Discharging	-20 ~ 60 $^{\circ}\text{C}$	
	Storage	-20 ~ 35 $^{\circ}\text{C}$	
Internal Resistance	$\leq 20\text{m Ohm}$ (upon 50% discharge)		
Weight	Approx. 48g		
Cuff-off Voltage (V)	2.8		



Cylindrical

The data shown is correct at a temperature of 20 $\pm$ 5 $^{\circ}\text{C}$  Shutdown at  $-\Delta V = 15\text{mV}$ , after reaching 120% of the rated capacity or at a temperature above 55 $^{\circ}\text{C}$